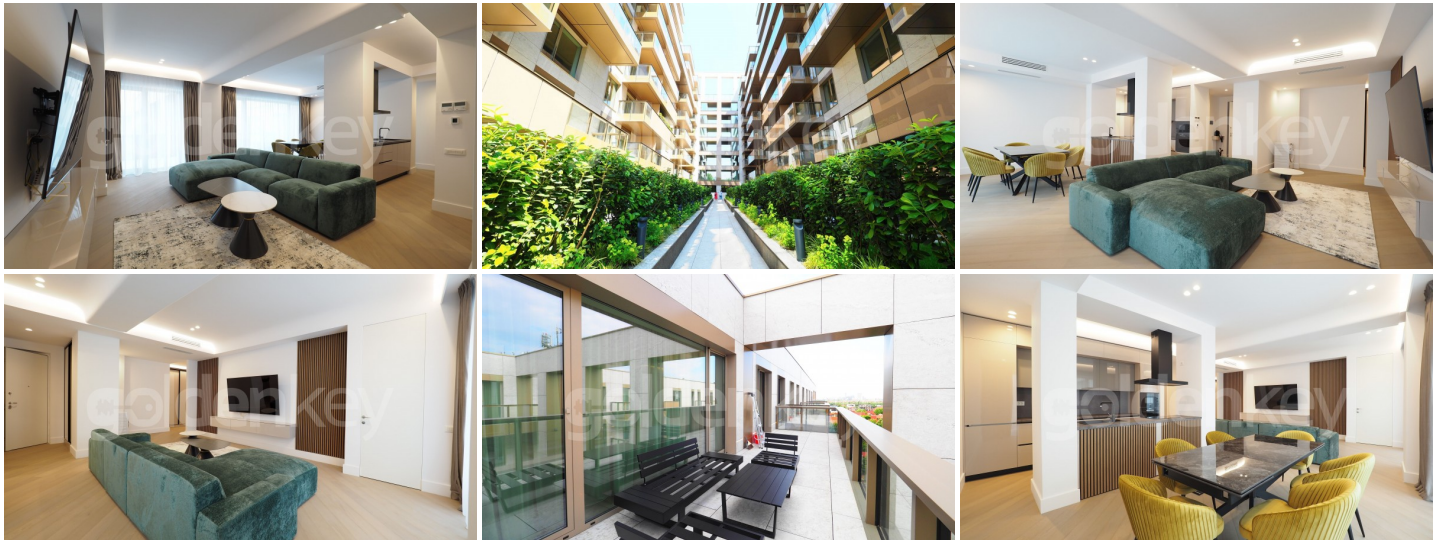


IANCU NICOLAE - Top floor 3 bedrooms apartment near  
Cambridge School  
ID:2581998

**3,200 € / lună**



#### **GENERAL INFORMATION**

- 4 rooms
- level: 8 / 1S+P+8E
- construction year: 2024

#### **AREAS**

- built: 181 sqm
- usable: 146 sqm

#### **CONTAINS**

- 3 bedrooms
- 3 bathrooms

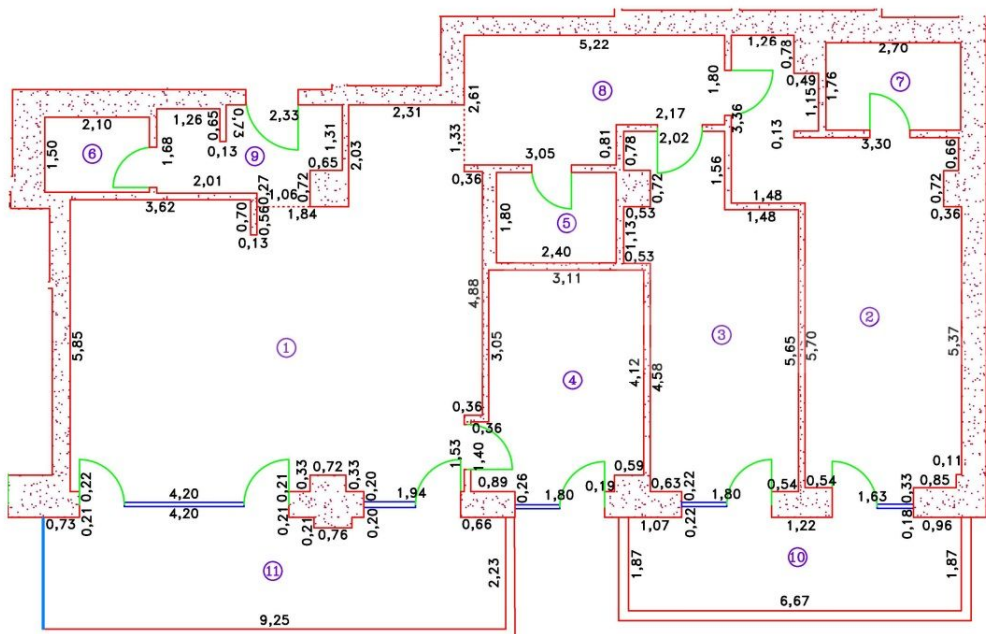
#### **Utilities**

air conditioning, stove, shower, bathtub, dressing room, fridge, kitchen hood, washing machine, dishwasher, tv, fully furnished, central heating, underfloor heating, open kitchen, furnished kitchen, equipped kitchen, water meters, heating meter, electricity meter, shared yard, elevator

#### **Property details**

Located in Iancu Nicolae area, near Jolie Ville and Cambridge School, this 3 bedrooms penthouse apartment is on the 8th floor of an UF+GF+8 building completed in 2024. It has a total area of 181sqm and 146sqm usable. It consists of living room with dining area and exit on the terrace, open and equipped kitchen, master bedroom with dressing and en-suite bathroom and 2 secondary bedrooms that share the 2nd bathroom. Includes 1 parking space in the underground garage. The building benefits from a ventilated façade, Schuco joinery, Filomuro interior doors, wooden flooring with underfloor heating, Florim ceramic cladding and is suitable for residence.

<https://www.goldenkey.ro/en/property-top-floor-3-bedrooms-apartment-near-cambridge-school-cp2581998>



RECAPITULATIE

Numar incapere	Denumire incapere	Suprafata utila [mp]
1	Living+Dining+Bucatarie	53.1
2	Dormitor matrimonial+Dressing	27.3
3	Dormitor+Dressing	20.5
4	Dormitor	14.6
5	Grup sanitar	4.3
6	Grup sanitar	3.1
7	Baie	4.8
8	Hol	11.9
9	Hol	6.3
SUPRAFATA UTILA		145.9
10	Balcon	13.1
11	Balcon	21.8
SUPRAFATA TOTALA		180.6
Executant		Data
		decembrie 2023